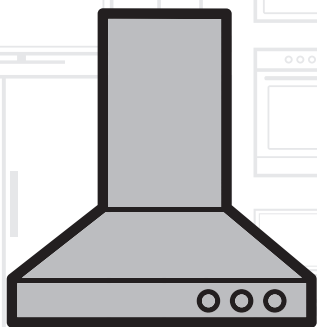


Hood

User Manual



HNU 51310 SD

EN

01M-8895833200-0920-03

beko

Please read this user manual first!






Dear Valued Customer,

Thank you for preferring this Beko appliance. We hope that you get the best results from your appliance which has been manufactured with high quality and state-of-the-art technology. For this reason, please read this entire user manual and all other accompanying documents carefully before using the appliance and keep it as a reference for future use. If you handover the appliance to someone else, give the user manual as well. Follow the instructions by paying attention to all the information and warnings in the user manual.

Remember that this user manual may also apply to other models. Differences between models are explicitly described in the manual.

Meanings of the Symbols

Following symbols are used in various sections of this user manual:

	Important information and useful hints about usage.
	WARNING: Warnings against dangerous situations concerning the security of life and property.
	Warning for danger of fire.
	Warning for electric shock.
	Protection class against electric shock.



This appliance has been manufactured in environmentally friendly modern plants without giving any harm to the nature.

Complies with the WEEE regulation.



It does not contain PCB.

CONTENTS

1 Important Safety and Environmental

Instructions 4-7

- 1.1 General Safety 4
- 1.2 Compliance with the WEEE Directive and
Disposing of the Waste Product 7
- 1.3 Compliance with RoHS Directive 7
- 1.4 Package Information 7

2 General Appearance 8

- 2.1 Overview 8
- 2.2 Technical Data 8

3 Using the Appliance 9-10

- 3.1 Use of the Rocker Switch. 9
- 3.2 Things to Do for Energy Saving 9
- 3.3 Operating the Hood 9
- 3.4 Lamp Replacement 10

4 Cleaning and Maintenance 11

- 4.1 Cleaning of Grease Filter 11
- 4.2 Changing of Carbon Filter 11

5 Setting Up the Device 12-19

- 5.1 Installation Accessories. 12
- 5.2 Installation of the Device 13

1 Important Safety and Environmental Instructions

1.1 General Safety

Important Safety Instructions
Read Carefully And Keep For
Future Reference

This section contains safety instructions that will help protect from risk of fire, electric shock, exposure to leak microwave energy, personal injury or property damage. Failure to follow these instructions shall void any warranty.

- Beko products comply with the applicable safety standards; therefore, in case of any damage on the appliance or power cable, it should be repaired or replaced by the dealer, service center or a specialist and authorized service alike to avoid any danger. Faulty or unqualified repair work may be dangerous and cause risk to the user.
- This appliance is intended to be used in household and similar applications such as:
 - Staff kitchen areas in shops, offices and other working environments;
 - Farm houses
 - By clients in hotels, and other residential type environments;
 - Bed and Breakfast type environments.
- Operate the appliance for its intended purpose only as described in this manual.
- The manufacturer cannot be held liable for damages resulting from improper installation or misuse of the product.
- This appliance can be used by children aged from 8 years and above and persons with reduced physical, sensory or mental capabilities or lack of experience and knowledge if they have been given supervision or instruction concerning use of the appliance in a safe way and understand the hazards involved.
- Children shall not be allowed play with the appliance. Cleaning and user maintenance shall not be made by children without supervision.
- The minimum distance between the supporting surface for the cooking equipment on the hob and the lowest part of the range hood must be not less than 50 cm from electric cookers and 65 cm from gas or mixed cookers.

1 Important Safety and Environmental Instructions

- If the instructions for installation for the gas hob specify a greater distance, this has to be taken into account.
- Make sure that your mains power supply complies with the information supplied on the rating plate of the appliance.
- Never use the appliance if the power cable or the appliance itself is damaged.
- Prevent damage to the power cable by not squeezing, bending, or rubbing it on sharp edges. Keep the power cable away from hot surfaces and naked flame.
- Use the appliance with a grounded outlet only.
WARNING: Do not connect the appliance to the mains until the installation is fully complete.
- Place the appliance in a way so that the plug is always accessible.
- Do not touch the lamps if they have operated for a long time. They can burn your hands since they will be hot.
- Follow the regulations set out by competent authorities on discharge of the exhaust air (this warning is not applicable for use without flue).
- Operate your appliance after putting a pot, pan etc. on the hob. Otherwise, high heat may cause deformation in some parts of your product.
- Turn off the hob before taking the pot, pan etc. from it.
- Do not leave hot oil on the hob. Pans with hot oil may cause self combustion.
- Pay attention to your curtains and covers since oil may catch fire while cooking food such as fries.
- Grease filter must be replaced at least monthly. Carbon filter must be replaced at least every 3 months.
- Product shall be cleaned accordance with user manual. If cleaning was not carried out in accordance with user manual, there may be fire risk.
- Do not use non-fire-resistant filtering materials instead of the current filter.
- Only use the original parts or parts recommended by the manufacturer.
- Do not operate the product without the filter and do not remove the filters while the product is running.

1 Important Safety and Environmental Instructions

- In the event of be started any flame, de-energize your product and cooking appliances.
 - In the event of be started any flame, cover the flame and never use water to extinguish.
 - Unplug the appliance before each cleaning and when the appliance is not in use.
 - The negative pressure in the environment should not exceed 4 Pa (4 x 10 bar) while the hood for electric hob and appliances running on another type of energy but electricity operate simultaneously.
 - In the environment where the appliance is being used, the exhaust of devices running on fuel oil or gas, such as room heater must be absolutely isolated or device must be hermetical type.
 - When connecting the flue, use pipes with a diameter of 120 or 150 mm. Pipe connection must be as short as possible and have as few elbows as possible.
- Danger of choking!** Keep all the packaging materials away from children.
- CAUTION:** Accessible parts may become hot when used with cooking appliances.
- The product outlet must not be connected to air channels that include other smoke.
 - The ventilation in the room may be insufficient when the hood for electric hob is used simultaneously with the devices operating on gas or other fuels (this may not apply to appliances that only discharge the air back into the room).
 - Objects placed on the product may fall. Do not place any objects on the product.
 - Do not flambe under the your product.
- WARNING:** Before installing the Hood, remove the protective films.
- Never leave high naked flames under the hood when it is in operation
 - Deep fat fryers must be continuously monitored during use: overheated oil can burst into flames.

1 Important Safety and Environmental Instructions

1.2 Compliance with the WEEE Directive and Disposing of the Waste Product:

This product complies with EU WEEE Directive (2012/19/EU). This product bears a classification symbol for waste electrical and electronic equipment (WEEE).



This symbol indicates that this product shall not be disposed with other household wastes at the end of its service

life. Used device must be returned to official collection point for recycling of electrical and electronic devices. To find these collection systems please contact to your local authorities or retailer where the product was purchased. Each household performs important role in recovering and recycling of old appliance. Appropriate disposal of used appliance helps prevent potential negative consequences for the environment and human health.

1.3 Compliance with RoHS Directive

The product you have purchased complies with EU RoHS Directive (2011/65/EU). It does not contain harmful and prohibited materials specified in the Directive.

1.4 Package Information



Packaging materials of the product are manufactured from recyclable materials in accordance with our National Environment Regulations. Do not dispose of the packaging materials together with the domestic or other wastes. Take them to the packaging material collection points designated by the local authorities.

2 General Appearance

2.1 Overview

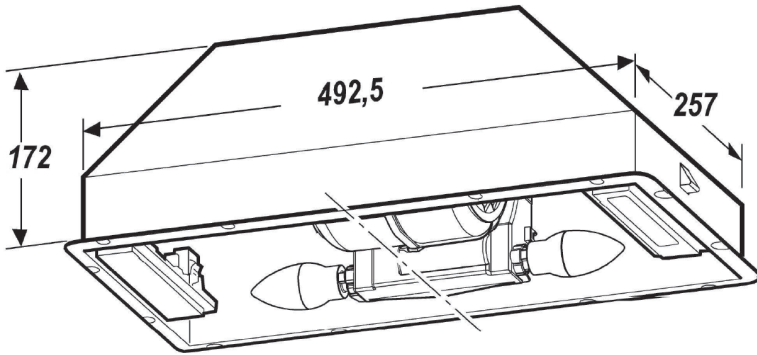


Fig.1

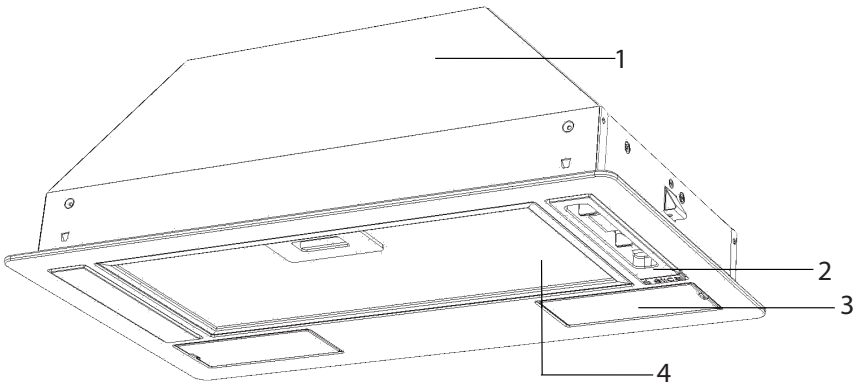


Fig.2

2.2 Technical Data

Model	HNU 51310 SD
Supply Voltage	220-240V 50 / 60 Hz.
Lamp Power (W)	2x3 W
Motor Power (W)	1x140 W
Air Flow (m³/h) - 3. Level	370 m ³ /h
Insulation Class	CLASS I

1. Body
2. Control Panel
3. Hob Lighting
4. Aluminum Grease Filter

3 Using the Appliance

3.1 Use of the Rocker Switch

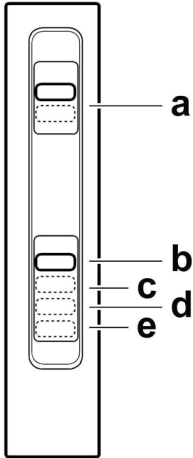


Fig.3

KEY	FUNCTION
a	ON/OFF lighting
b	OFF motors.
c-d-e	Minimum suction power (c.), medium (d.), maximum (e.).

3.2 Things to Do for Energy Saving

- Ensure sufficient air intake to make the hood operate efficiently and with low operation noise during cooking.
- Set the fan level according to the density of steam in kitchen. Use the high level only when needed. A lower fan level means less energy consumption.
- If dense smoke is expected in the kitchen, select a higher level of fan in advance. It is required to operate the hood much longer to remove the smoke already spread all over kitchen.

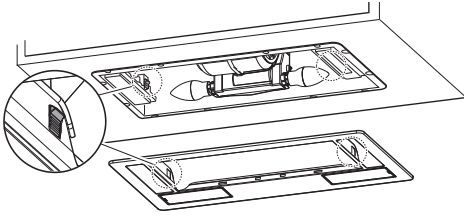
- Turn off the hood when not in use.
- Clean or replace the filter at intervals stated, thus, the efficiency of the ventilation is increased and the risk of fire is eliminated.

3.3 Operating the Hood

- Hood is equipped with a motor having various speed settings.
- For a better performance, we advise you to use low speeds in normal conditions, and high speeds when smell and vapors are intensified.
- You can start the hood by pressing the desired speed level key.(c, d, e)
- You can illuminate the cooking area by pressing the light key.(a)

3 Using the Appliance

3.4 Lamp Replacement



MAX: 3 W

Fig.4

Disconnect the hood from the mains-supply. This appliance is equipped with 3 W spot LED lamps.



WARNING

Prior to touching the light bulbs ensure they are cooled down.

Remove the suction grill to access the lamp area.

Replace the damaged lamp.

Use E14 3W max LED lamps only. For more details, check enclosed leaflet "ILCOS D" (alphanumeric position "1d").

If the lights do not work, make sure that the lamps are fitted properly into their housings before you call for technical assistance.



Before replacing the light bulbs, disconnect the power supply of the hood.



Do not touch the light bulbs when they are hot.



Be careful not to touch the replaced light bulb directly with hands.



You may procure lamps from Authorised Service Agents.

4 Cleaning and Maintenance

Prior to cleaning and maintenance, unplug the appliance or turn the main switch off or loosen the fuse that supplies the hood.



Failure to comply with the provisions relating to cleaning of the device and replacement of filters may cause fire risks. It is therefore recommended to comply with the guidelines given herein. The manufacturer is not liable for any damage to the engine or fires caused by improper use.

Clean using only a cloth dampened with neutral liquid detergent. Do not clean with tools or instruments. Do not use abrasive products. Do not use alcohol

4.1 Cleaning of Grease Filter

The grease filter must be cleaned once a month using non aggressive detergents, either by hand or in the dishwasher, which must be set to a low temperature and a short cycle. When washed in a dishwasher, the grease filter may discolor slightly, but this does not affect its filtering capacity.

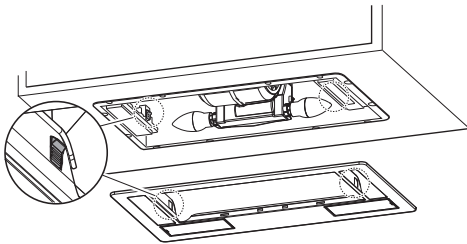


Fig.5



You can wash the grease filter in the dishwasher

4.2 Changing of Carbon Filter (Air Circulation Mode)

The saturation of the carbon filter occurs after more or less prolonged use, depending on the type of cooking and the regularity of cleaning of the grease filter. In any case it is necessary to replace the carbon at least every three months. The carbon filter may NOT be washed or regenerated.

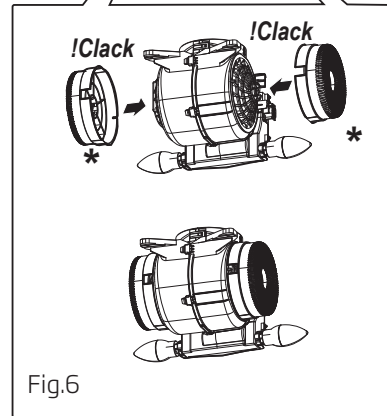
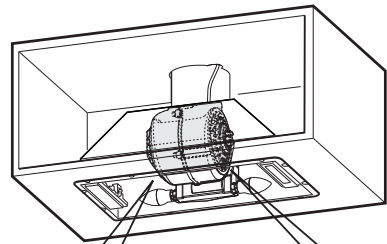


Fig.6



WARNING: The carbon filter is never washed.



WARNING: Carbon filter is available from Beko Authorized Services.

5 Setting Up the Device



WARNING

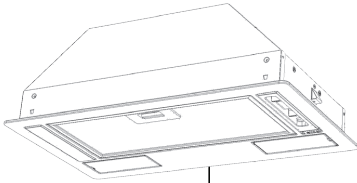
Please read safety instructions before setting up.



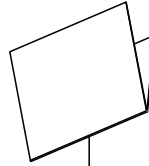
WARNING

Failure to install the screws or fixing device in accordance with these instructions may result in electrical hazards.

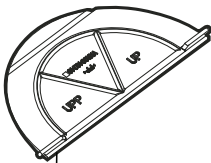
5.1 Installation Accessories



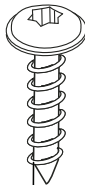
1



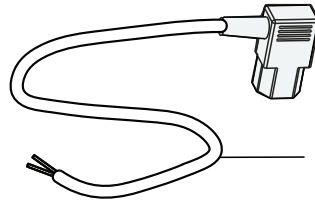
2



3



4



5

- 1- Hood
- 2- User Manual
- 3- Chimney Clamp
- 4- 8x Ø4,5x16 Screw
- 5- Power Supply Cord

Fig.7

5 Setting Up the Device

5.2 Installation of the Device

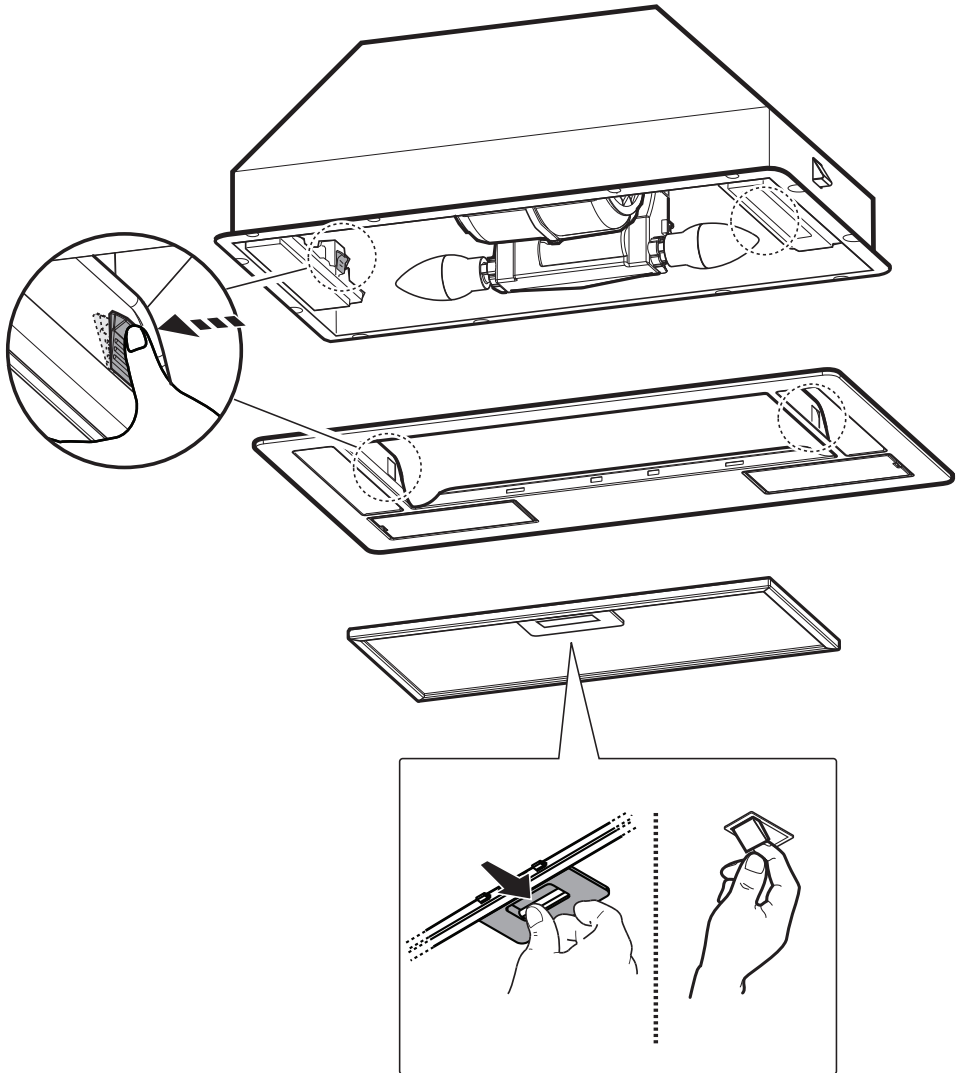


Fig.8

5 Setting Up the Device

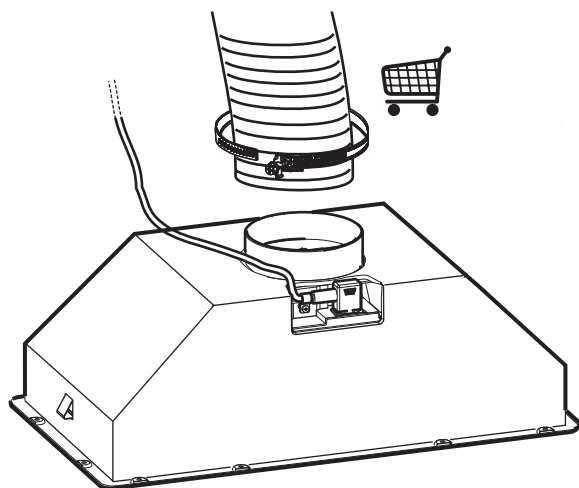
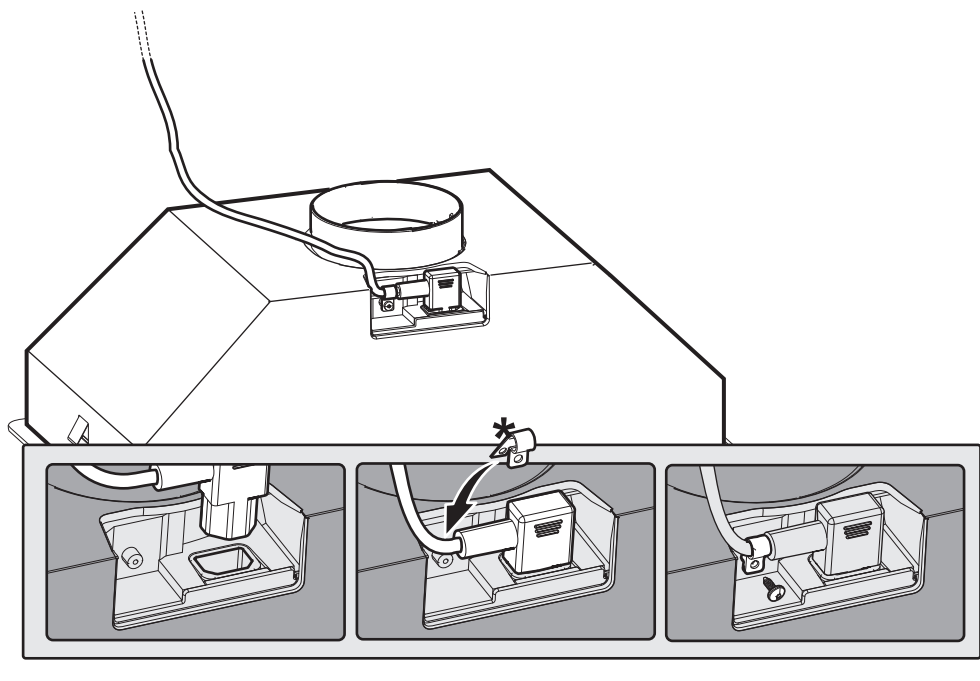


Fig.9

5 Setting Up the Device

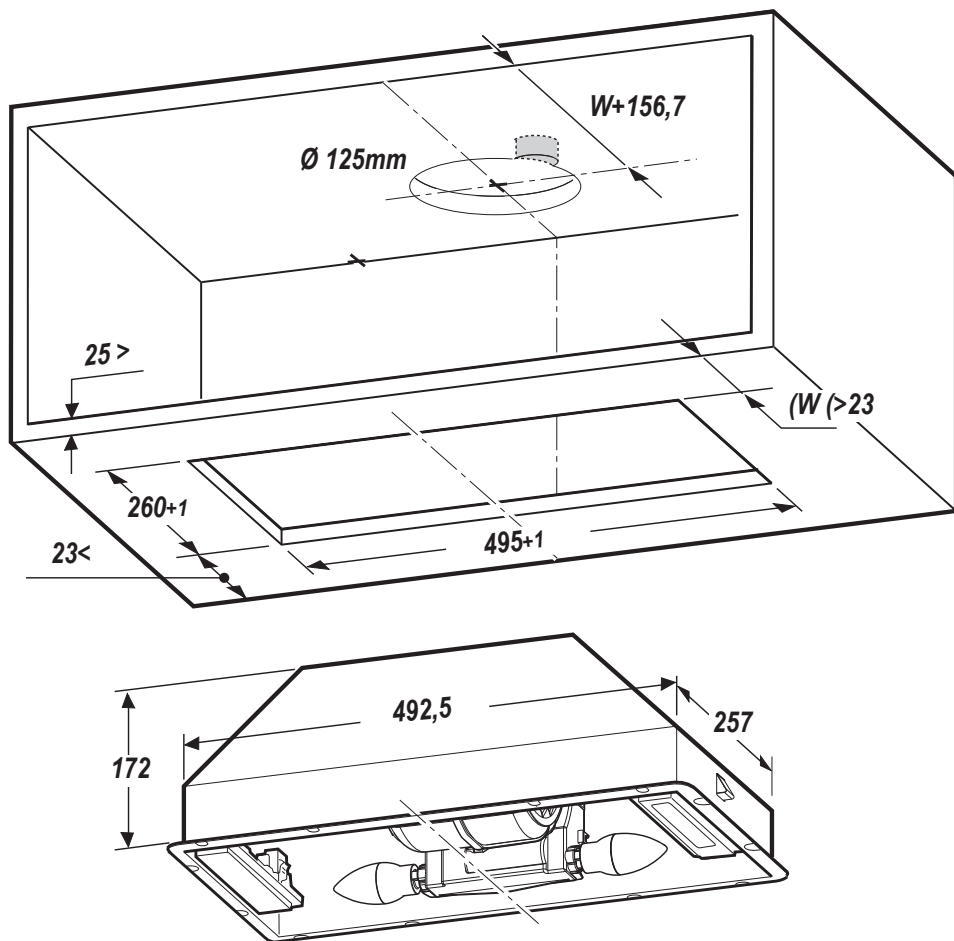


Fig.10

5 Setting Up the Device

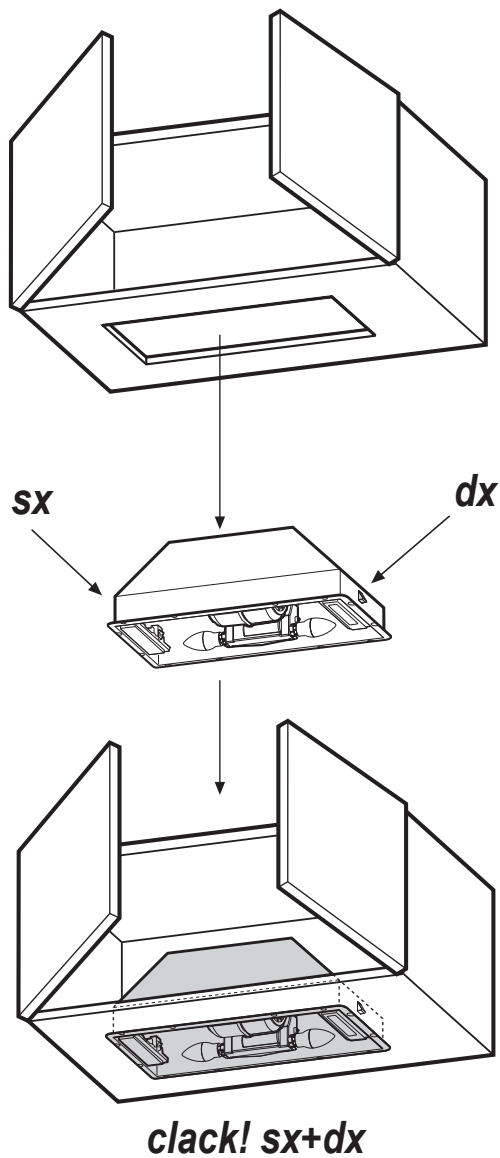


Fig.11

!OK

5 Setting Up the Device

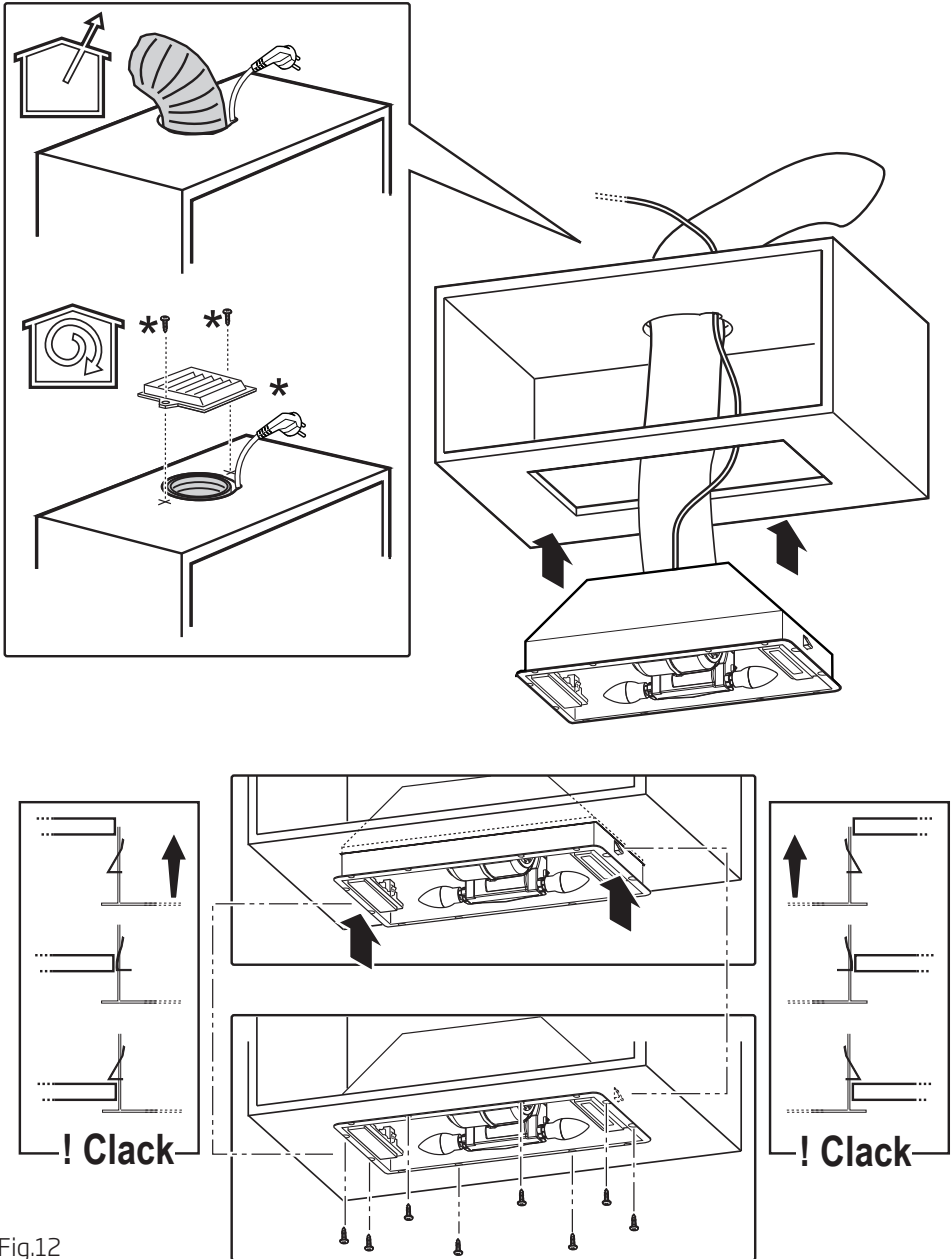


Fig.12

5 Setting Up the Device

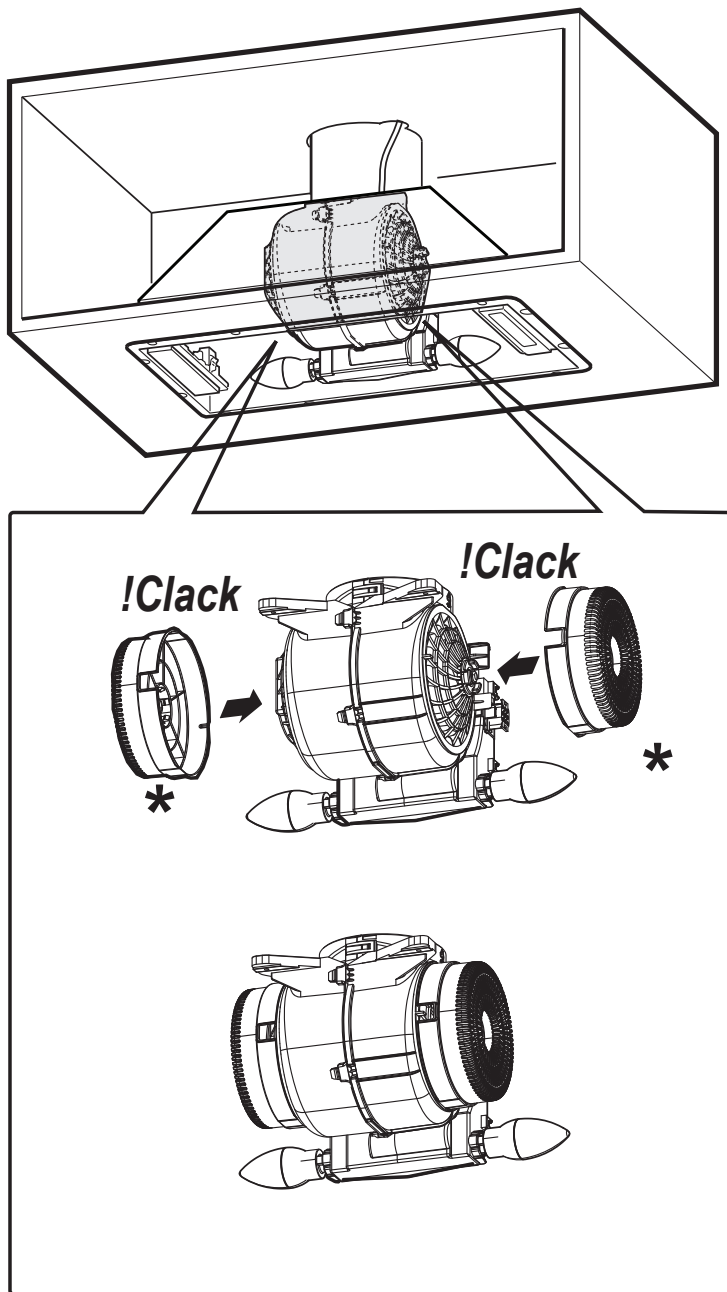


Fig.13

5 Setting Up the Device

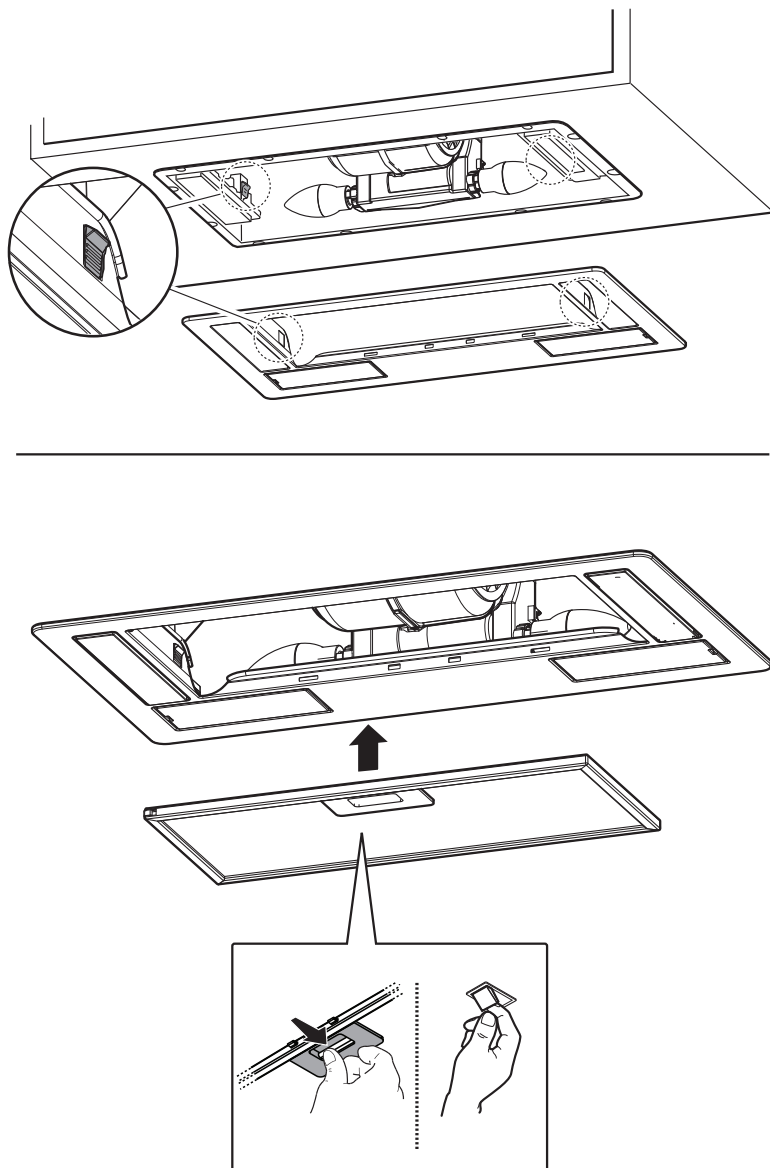


Fig.14

